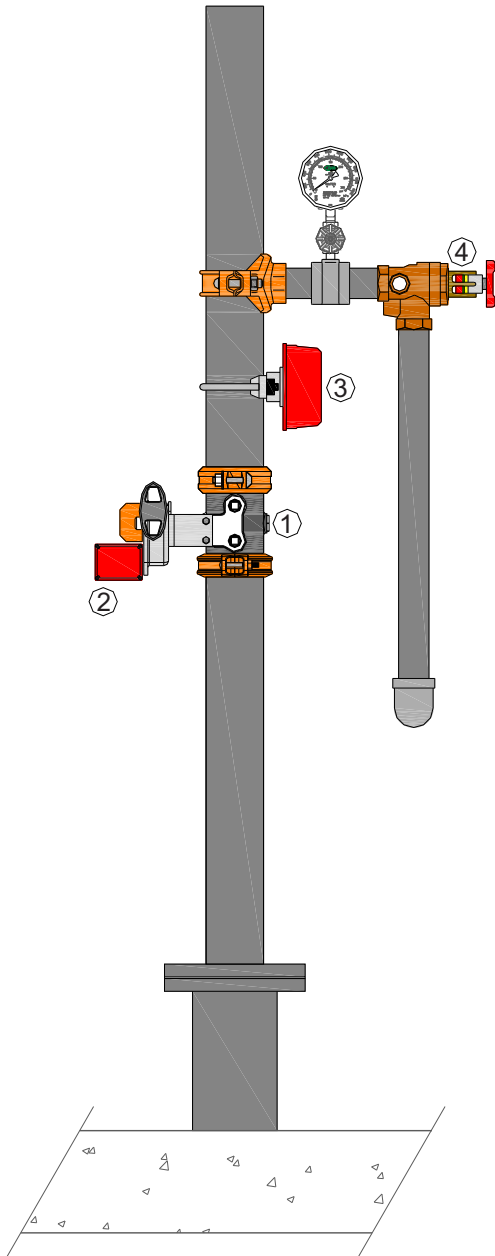


# OPERATING INSTRUCTIONS FOR WET SPRINKLER FLOW SWITCH NO BACKFLOW OR CHECK VALVE



## Components

1. Main control valve (normally open)
2. Valve supervisory switch (if installed)
3. Water flow switch (may be multiple locations as per sprinkler system zoning)
4. Test and drain valve (normally closed) (may be multiple locations downstream of all flow switches)

## Instructions for Testing System

- (a) Notify fire department, security company, and all facility occupants that a test is going to be conducted.
- (b) To test water flow alarm switch, open test and drain valve #4 until alarm is activated. Return valve to closed position.
- (c) Notify fire department, security company, and all facility occupants that testing is complete.

## Instructions for Draining System

- (a) Notify fire department, security company, and all facility occupants
- (b) Shut off #1 main control valve
- (c) Open main drain valve #4

## Instructions for Re-filling System

- (a) Close the main drain valve #4
- (b) Open #1 main control valve
- (c) Notify fire department, security company, and all facility occupants that the system is on and in operation.